

## M×N (M≤4、N≤72) Optical switch module



M×N Optical switch module

### Applications

- Multi-monitoring in Optical
- Auto-Switching of LAN multi-Laser source/detector and multi-Sensing dynamic monitoring system
- Testing of fiber,optical Component Network or field projects in optical system

### Features

- Up to 128 Channels
- Low Loss, High Reliability
- Parallel interface (TTL)
- Modularizing Design



M×N Optical switch (1U)

Optical switch is a kind of device ,with the ability of the optical channels' switching. Among optic fiber transmission system, it is used in optical channels' control, LAN, light source / detector change, and protect change of network etc.. Test system in optical fiber, it is used in optical fiber and optical fiber device test, network test, open-air optical cable test and optical fiber sensing.

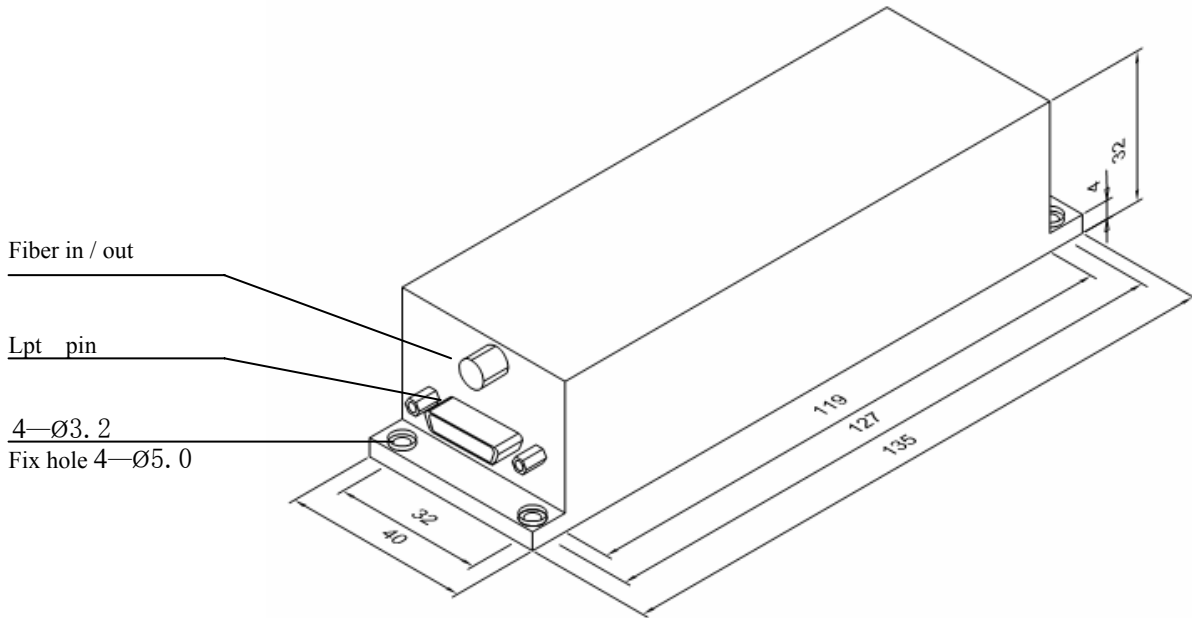
### Optical Specifications

Type	M×N
Wavelength Range	780~1625nm
Insertion Loss	≤1.2dB (with optical linker)
Return Loss	SM≥55dB; MM≥25dB (with FC/PC linker)
Cross-Talk	≤-60dB
PDL	≤0.05dB
Wavelength Relative	≤0.25dB
Repeatability	≤±0.02dB
Switching Time	≤10ms (Switching to next channel)
Operating life	> 10 <sup>7</sup> time
Transmission Power	≤500mw
Operation Temp	-5 ~ 55 °C
Storage Temp	-20~+70°C
Power	+5V

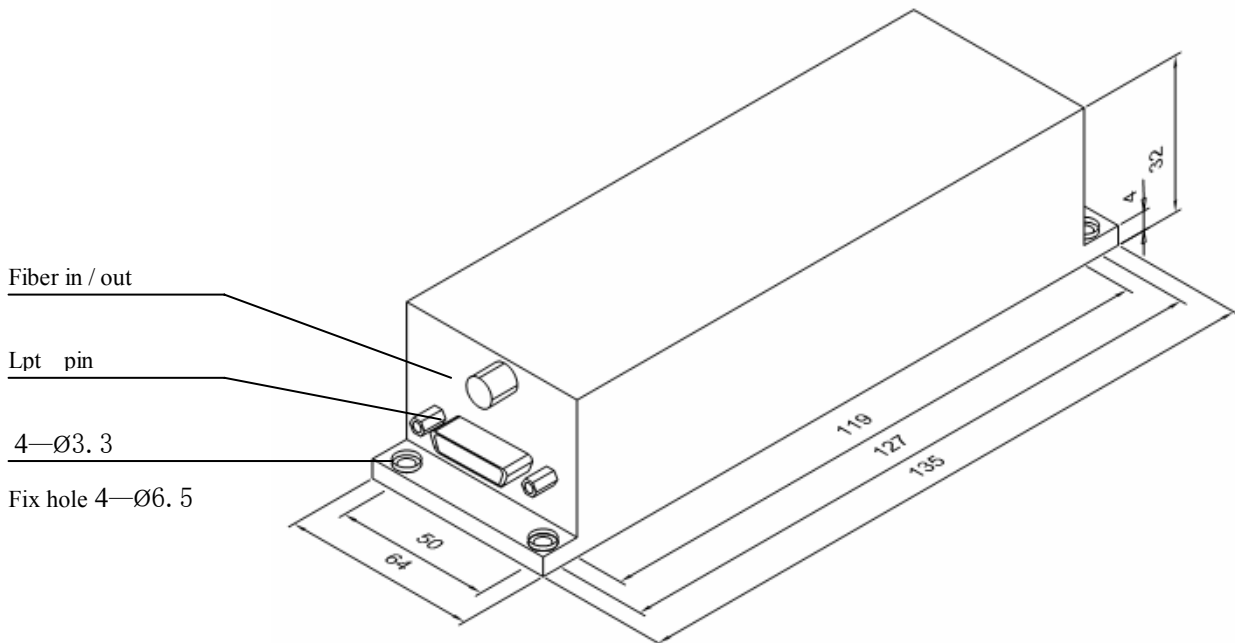


## M×N (M≤4、N≤72) Optical switch module

1×N(8≤N≤16)Optical Switch Module size (mm): (L)184×(W)77.4×(H)38

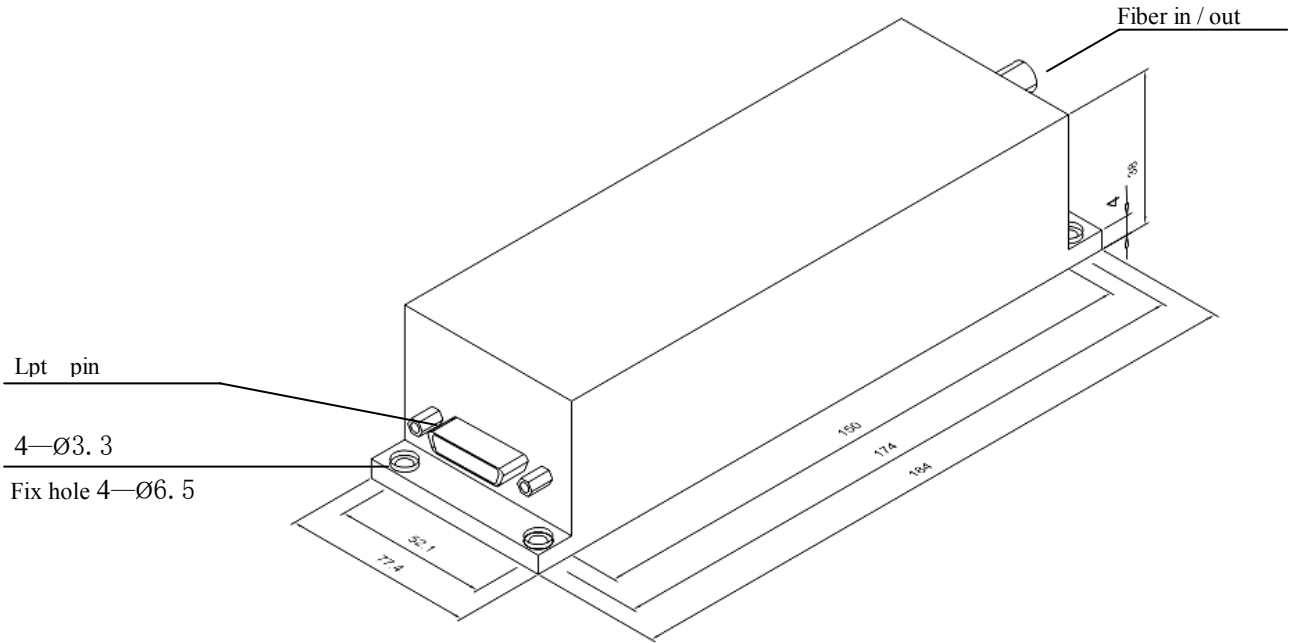


1×N(6≤N≤14)Optical Switch Module size(mm): (L)135×(W)64×(H)32



## M×N (M≤4、N≤72) Optical switch module

1×N(8≤N≤16)Optical Switch Module size(mm): (L)184×(W)77.4×(H)38



1×N(16≤N≤48) Optical Switch Module size (mm): (L)206×(W) 78×(H) 66

### Information of order

